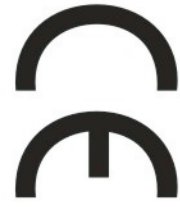


INSTRUCTION MANUAL

HYDRAULIC JACK



HYDRAULIC JACK

SERIAL NO:

MFG DATE:

4. Technical Data

Model	Rated Capacity(kg)	Minimum Height (mm) ≤	Lifting Height (mm) ≥	Saddle Rise (mm) ≥	Net weight (kg) ≈
QYLS2	2000	148	80	50	2.3
QYLS3	3000	180	110	50	3.4
QYLS4	4000	180	110	50	3.4
QYLS5	5000	185	110	60	4.5
QYLS6	6000	185	110	60	4.5
QYLS8	8000	200	125	60	5.5
QYLS10	10000	200	125	60	6.0
QYLS12	12000	210	125	60	7.2
QYLS15	15000	225	140	60	8.5
QYLS16	16000	225	140	60	8.5
QYLS20	20000	235	145	60	11.0
QYLS30	30000	255	150	/	14.5
QYLS32	32000	255	150	/	14.5
QYLS50	50000	260	155	/	29.0

1.Application:

The jacks work in accordance with the hydraulic principle. The feature is compactness, small, light and portability. They are widely used in automobiles and tractors.

The jacks are suitable only for vertical lifting jobs. The range of ambient temperature at which the jacks can be used is from +50°C to -20°C. They should not be used in places where acid, alkali or other corrosive gases exist. The jack can be used in explosive atmosphere.

2.Safety Instructions:

- *Never exceed the jack's rated load capacity
 - *Base of jack should always rest on a firm, level surface
 - *Never work under the lift load without additional support means
 - *Never operate jack in angular or horizontal position
 - *The contact between the top and the lifted body must be perfect
 - *When several jacks are used together, the raising speed should be coincident with each other and the duty of each should be balanced otherwise the danger of toppling over will happen.
 - *Secure the vehicle against running away.
 - *Apply the jack at the points indicated by the vehicle manufacturer
 - *Apply the jack in such a way that it is not necessary to reach under the vehicle in order to operate the jack
 - *The adjustment of the pressure relief valve is set by factory. The user do not adjust it.
- ### 3. Operation Instructions:
- To Raise:**
- *Turn the delivery valve clockwise until it is firmly closed before pumping.
 - *Position the jack under the load and turn the extension saddle until solid contact with the load to be lifted.
 - *Operate the jack handle until the saddle contacts the load.

Once again check to see that the saddle is correctly positioned.

Raise the load to the desired height and then transfer the load to the vehicle support stands.

To Lower:

- *Raise the jack to remove vehicle support stands.
- *Turn the delivery valve slowly counter _clockwise approximately 1/2 to 1 turn. If the piston is still extended, push the piston down manually so that the piston is not left exposed to the air thereby reducing exposure to rusting.

Maintenance Procedures:

Important:

The oil type is L-AN15 (GB/T443) for -5°C ~ +50°C, L-DRA15(GB/T16630) for - 20°C ~ -5°C

Do not use any fluid other than good grade Hydraulic oil.

Improper fluid can cause serious internal damage to the jack.

To Add Oil:

- *Push ram down fully, remove rubber plug from reservoir and fill oil to plug hole.

To Change Oil:

*It is recommended that the oil be replaced at least once per year for maximum-life. To drain the oil remove the filler plug, lay the jack on its side and allow the oil to run out into a drain pan.

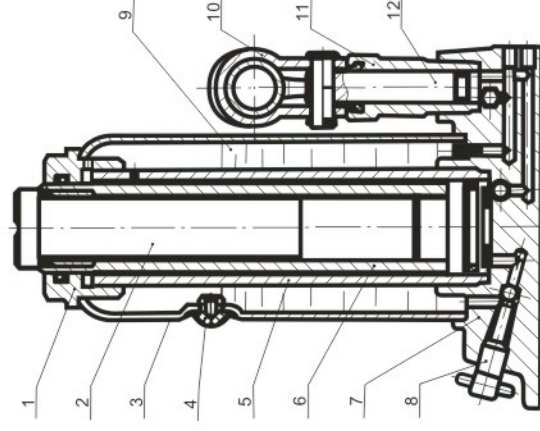
- *Do not allow any dirt or foreign matter to enter the hydraulic system.

Lubrication:

Add correct lubrication oil to all pivoting sections every 3 months.

Preventing Rust:

- *Check ram every 3 months for any sign of rust or corrosion. Clean as needed and wipe with an oil cloth. When not in use, always leave the saddle and ram all the way down.



1. Top cap
2. Adjustment screw
3. Oil Tight tank
4. Oil plug
5. Cylinder
6. Piston rod
7. Backing
8. Oil drain valve
9. Hydraulic fluid
10. Presses the hand
11. Pump casing
12. Pump Plunger
13. Handle
14. Safe valve

