

SHOULDERDOLLY®



MAKES LIFTING EASIER™

MOVING STRAPS

Part # LD2000
UPC: 895678000014

Lift safely, easily and efficiently with the ShoulderDolly®. By using natural leverage, this two person lifting system allows users to maintain proper upright posture while lifting any heavy object. The ShoulderDolly® works in conjunction with leg and shoulder muscle groups for less strain and injury to lower back, hands, biceps and forearms. The kit contains two harnesses and one lifting strap. The ShoulderDolly® is the proven way to move big, heavy & bulky items safely, easily and more efficiently over terrain where traditional wheeled moving dolly's just can't go.



1 SIZE FITS ALL

For more than 40 years, Nielsen Products, LLC has been providing quality products at reasonable prices for both professional and consumer segments.



NIELSEN PRODUCTS, LLC | 800.217.1114 | PO Box 243, Boulder, CO 80306, USA | nielsenproductsllc.com

sales@shoulderdolly.com | shoulderdolly.com

SHOULDERDOLLY®



- HIGH MARGIN ITEM
- SMALL INVENTORY FOOTPRINT
- MAKES MOVING EASIER & LESS PROPERTY DAMAGE
- STRONG SELL THROUGH
- PROVEN SELLER IN OVER 6,000 RETAIL LOCATIONS
- #1 TRUSTED BRAND FOR MOVING STRAPS

Benefits:

- Free hand/arms: The need for stabilization, opening doors and overall balance is all retained.
- One strap design to allow for exact placement of lifted items where the weight is not centered.
- Adjustable tension buckle allows for unlimited increments of adjustment to fit nearly any object.
- Height differences of users is easily overcome with use of the adjustable tension buckle.
- While the ShoulderDolly® won't make you any stronger than you are without it, ergonomical design promotes proper lifting technique and posture.

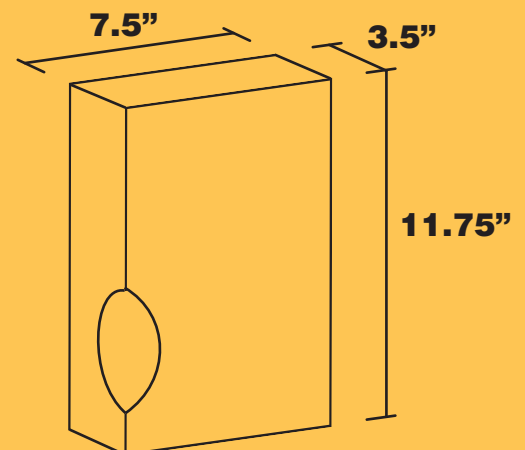
Specifications:

- Includes two one-size-fits-all harnesses, one 12 ft. long by 5 in. wide lifting strap, instruction manual
- Recommended carrying capacity up to 800 lbs
- Patent # 7,331,493

Weight (case): 22.4 lbs.
DIM (case): 21" x 7.5" x 12.5"

Case Size: 6 units
MSRP: €44.98

Packaging Specifications:



Weight (unit): 3.5 lbs.
DIM (unit): 3.5" x 7.5" x 11.75"



NIELSEN PRODUCTS, LLC | 800.217.1114 PO Box 243, Boulder, CO 80306, USA | nielsenproductsllc.com

sales@shoulderdolly.com | shoulderdolly.com