

**HLS | SINGLE ACTING LOW HEIGHT CYLINDERS**

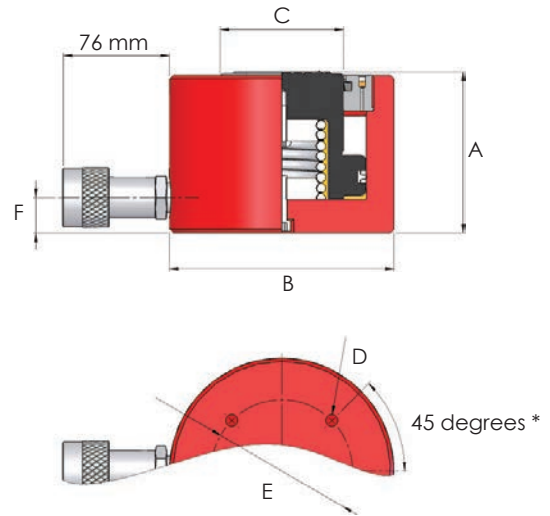


- ▶ Single acting, spring assisted return
- ▶ Compact design with optimum stroke lengths
- ▶ Nitrocarburised piston rod for corrosion resistance
- ▶ Low friction bearing surfaces
- ▶ Anti-extrusion seals for improved performance at high pressures

Capacities from 10 to 147 tonnes

Stroke lengths from 25 to 60 mm

Working pressure 700 bar



\*HLS101 features 2 base mounting holes at 90° from coupler

Model number	Capacity (tonnes)	Stroke (mm)	Oil capacity (cm <sup>3</sup> )	Cylinder eff. area (cm <sup>2</sup> )	Weight (kg)	Dimensions (mm) <i>(unless otherwise stated)</i>					
						A	B	C	D	E	F
HLS101	10	40	58	14.4	2.4	95	70	38	M8	40	19
HLS201	20	44	126	28.6	4.8	102	90	51	M8	60	19
HLS301	32	25	114	45.6	5.0	83	102	60	M8	80	19
HLS302	32	60	274	45.6	7.0	119	102	60	M8	80	19
HLS501	50	25	178	71.3	8.4	91	127	70	M8	80	20
HLS502	50	60	428	71.3	10.4	126	127	70	M8	80	20
HLS1001	109	25	384	153.4	19.8	108	178	114	M12	140	30
HLS1002	109	60	921	153.4	24.0	143	178	114	M12	140	30
HLS1501	147	25	516	206.2	37.0	130	216	114	M12	165	41
HLS1502	147	50	1031	206.2	42.0	155	216	114	M12	165	41