

NEW!

# → TRY 075, 100, 150, 200

LIFTING PIN

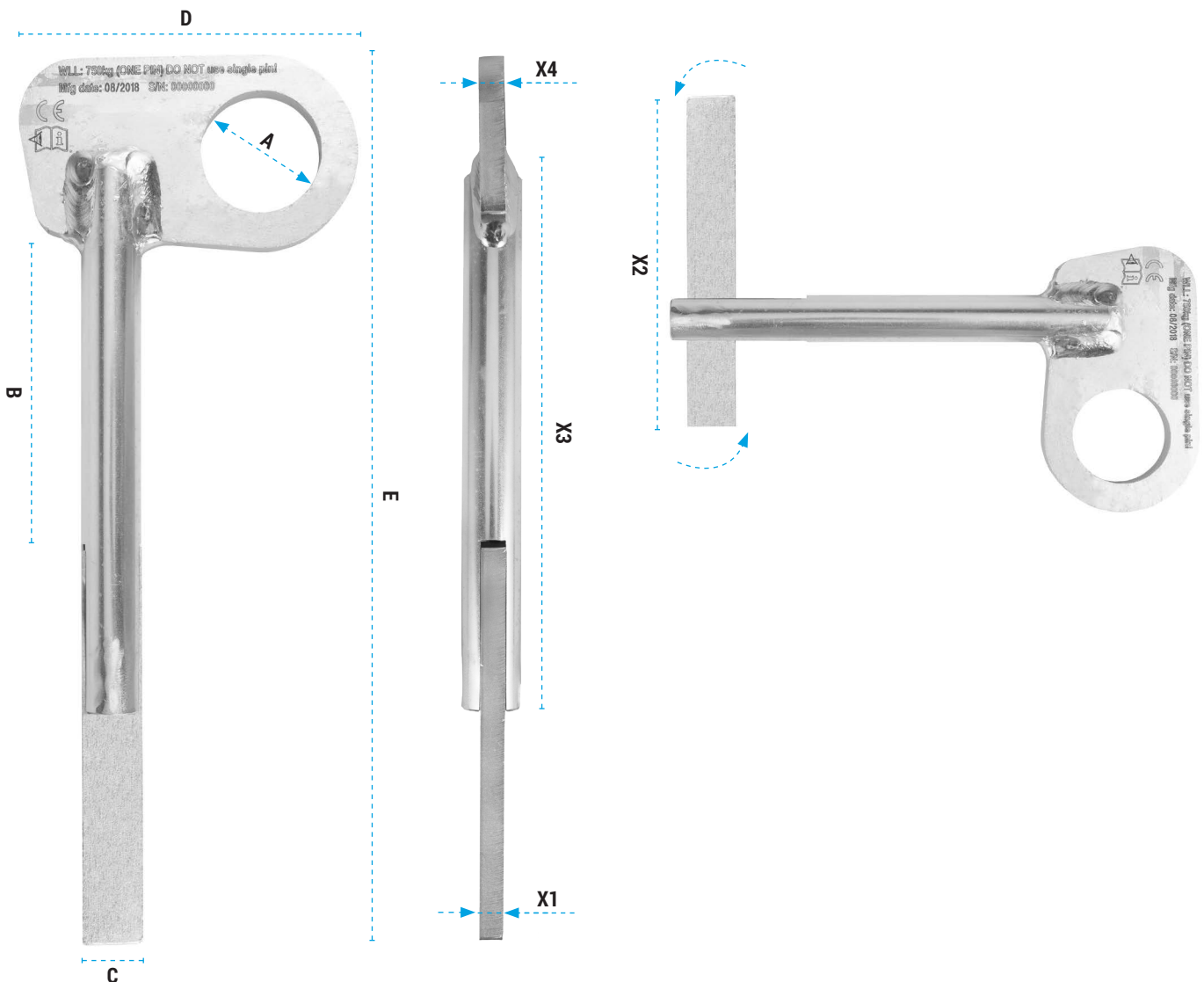
## TECHNICAL DATA

Material: galvanized steel

## DESCRIPTION

TRY series lifting pin can be used for lifting cement well rings. Lifting pins are made of zinc plated steel.

**CAUTION:** Do not use single lifting pin. Avoid dynamic load - WLL can be greatly exceeded.



## SPECIFICATION

REFERENCE	WLL: [kg]	A [mm]	B [mm]	C [mm]	D [mm]	E [mm]	X1 [mm]	X2 [mm]	X3 [mm]	X4 [mm]
TRY 075	750	50	120	25	139	365	10	165	225	10
TRY 100	1000	50	150	32	139	400	10	165	260	10
TRY 150	1500	50	175	35	155	425	10	165	285	12
TRY 200	2000	50	215	38	155	465	10	165	325	13

NEW!

# → TRY 075, 100, 150, 200

LIFTING PIN

## EXAMPLE OF USE

---

