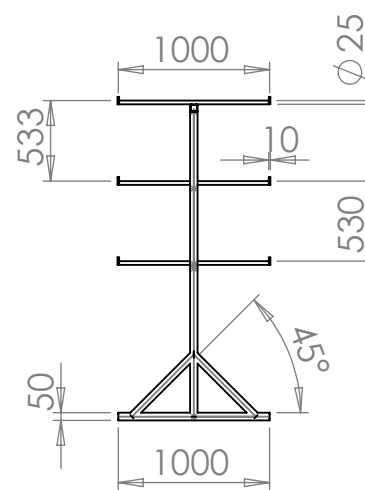
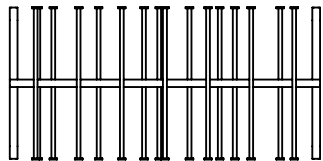


ISOMETRIC VIEW
SCALE 1:50



CUSTOMER:	Safety Lifting.
SITE:	N/A.
JOB NAME:	Rack.
JOB NO:	1015
DATE:	10/05/16.
EXC CLASS:	2
FAB BY:	
WELD BY:	
INSP BY:	
INSP DATE:	

NOTES:

A.	10/05/16.	DRWG.	J.Bell.
REV:	DATE:	NATURE OF REVISION:	REV BY:
		NAME	DATE
DRAWN	J.Bell.	10/05/16.	
CHECKED		10/05/16.	
APPROVED			
DRAWING NO	JN1015		
SHEETS	1 OF 1	REV	A.
SCALE	1:50		