

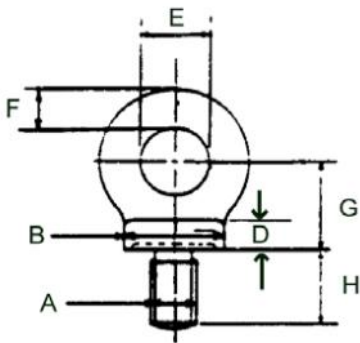
Collared Eyebolt Metric Thread

Product Code: CEB



Collared Eyebolts Available to BS4278 Table 1—1984 (Tested & Certified)

Sizes marked * are additional & proportional to the specification

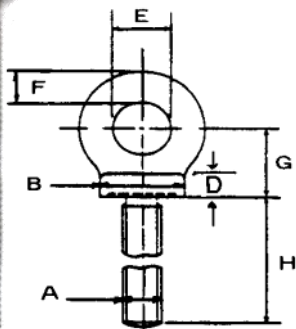


	VERTICAL SWL TONNES	A mm	B mm	D mm	E mm	F mm	G mm	H mm	WEIGHT EACH KGS
*	0.10	6	22	7	15	9	20	18	0.06
*	0.15	8	22	7	15	9	20	18	0.06
*	0.25	10	22	7	15	9	20	18	0.06
	0.40	12	22	7	15	9	20	18	0.06
*	0.50	14	29	10	20	12	26	23	0.15
	0.80	16	29	10	20	12	26	23	0.15
*	1.00	18	36	12	24	14	32	28	0.27
	1.60	20	40	14	27	16	36	32	0.38
*	1.60	22	45	14	30	17	40	35	0.54
	2.50	24	52	17	35	21	46	40	0.85
*	2.50	27	58	20	39	23	52	46	1.13
	4.00	30	65	22	44	26	58	51	1.62
*	4.00	33	72	24	48	29	64	56	2.37
	6.30	36	81	27	54	32	72	63	3.12
*	6.30	39	86	29	57	33	76	67	3.81
	8.00	42	101	34	68	40	90	79	6.27
*	8.00	45	101	34	68	40	90	79	6.45
*	10.00	48	101	34	68	40	90	79	6.51
	12.50	52	115	38	76	46	102	89	9.58
	16.00	56	128	43	86	51	114	100	12.99
	20.00	64	144	48	96	58	128	112	18.20

Long Shank Metric Thread

Product Code: LSCEB

Long Shank Collared Eyebolts Metric Thread



VERTICAL SWL TONNES	A mm	B mm	D mm	E mm	F mm	G mm	H mm	WEIGHT EACH KGS
0.25	10	22	7	15	9	20	178	0.18
0.40	12	28	10	19	11	25	178	0.25
0.50	14	36	12	24	14	32	178	0.40
0.80	16	36	12	24	14	32	178	0.44
1.00	18	43	14	28	17	38	178	0.70
1.60	20	43	14	28	17	38	178	0.70
1.60	22	43	14	38	17	38	178	1.05
2.50	24	57	19	38	22	51	178	1.50
4.00	30	71	24	48	28	64	178	2.80